

SINGER
261-1

Form 21195
(561)
Printed in U. S. A.

LIST OF PARTS COMPLETE

FOR

NO. 261-1 MACHINE

The Singer Manufacturing Company

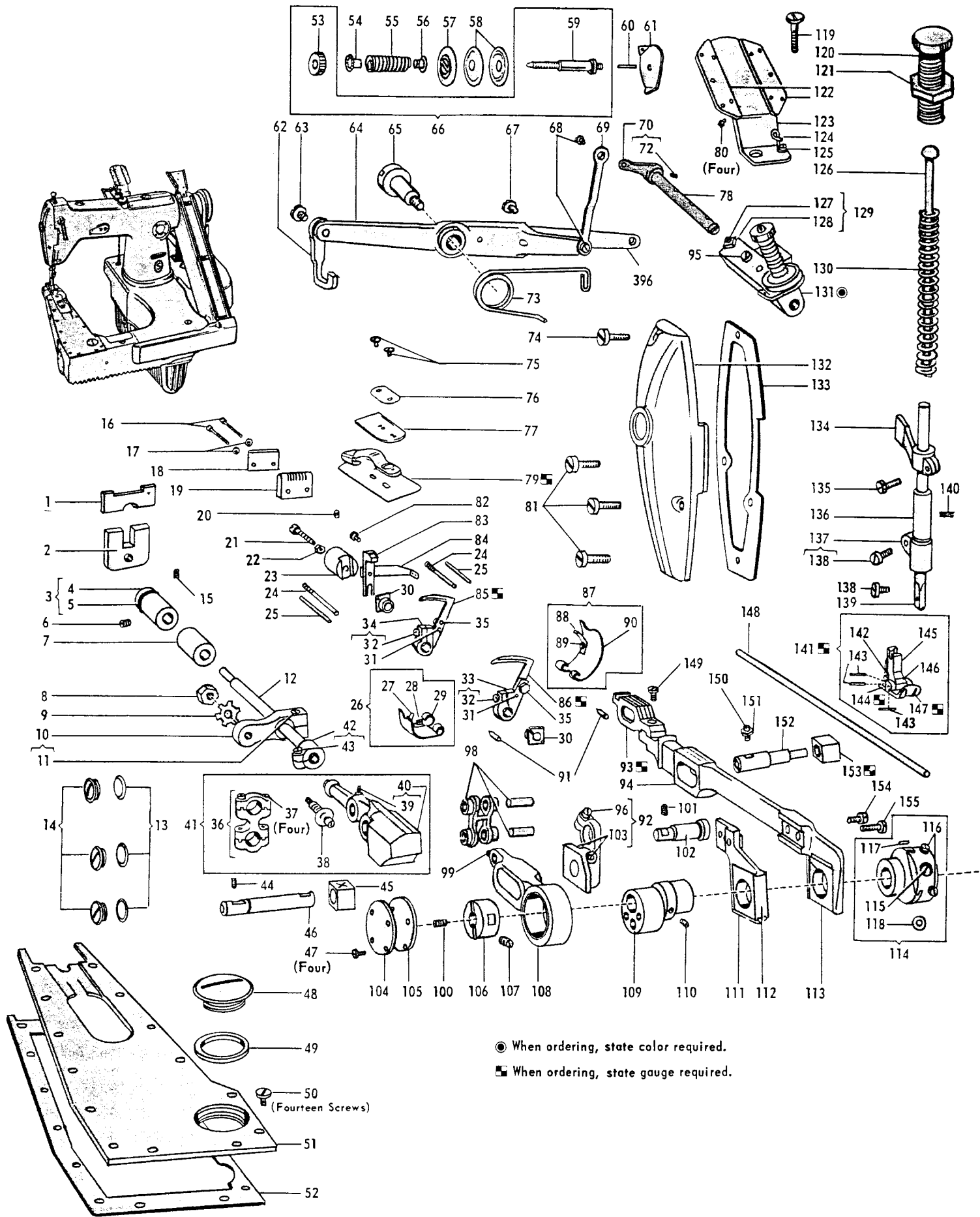
SINGER*
261-1
PARTS

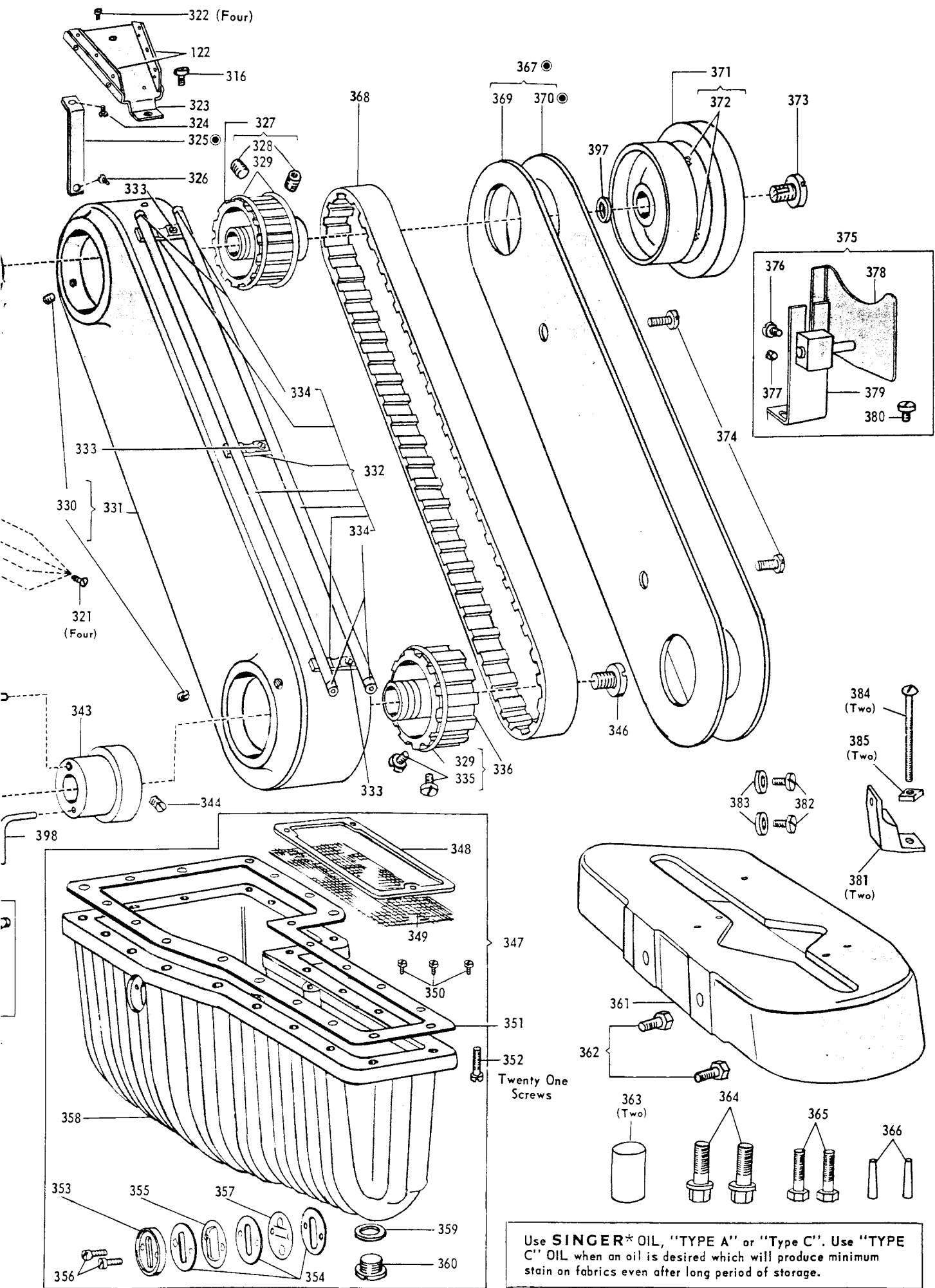
THE SINGER COMPANY

Copyright ©1962 by The Singer Company
All Rights Reserved under Inter-American Copyright Union
Copyright under International Copyright Union

Printed in U. S. A.

*A Trademark of THE SINGER COMPANY





Use **SINGER*** OIL, "TYPE A" or "Type C". Use "TYPE C" OIL when an oil is desired which will produce minimum stain on fabrics even after long period of storage.

LIST OF PARTS 261-1

CODE	PART NUMBER	NAME	COMPONENTS	CODE	PART NUMBER	NAME	COMPONENTS
1	143615	Oil Shield (felt) upper		97	147070	Arm Hole Plug Screw Washer	
2	143614	Oil Shield (felt) lower		98	23103	Connecting Link and Hinge Pin	
3	143552	BUSHING (back) OCOMP.	143485 with 143551	99	1047	Set Screw	
4	143485	Bushing (back)		100	141163	Shaft Screw (left)	
5	143551	Oil Seal (rubber)		101	446	Set Screw	
6	443	Set Screw		102	139534	Hinge Stud	
7	143486	Bushing (front)		103	1253	Set Screw (2)	
8	1520	Stud Nut		104	139030	Bushing Cover	
9	128531	Lock Washer		105	139031	Cover Gasket	
10	139059	CRANK	with 1057	106	143443	Bushing (left)	
11	1057	Pinch Screw		107	140331	Set Screw	
12	143484	Looper Holder Shaft		108	143462	LOOPER ECCENTRIC CONNECTION	with 1047
13	139509	Gasket (3)		109	143461	LOOPER ECCENTRIC AND FEED LIFTING ECCENTRIC	with two 1036
14	139510	Oil Plug (3)		110	1036	Set Screw (2)	
15	454	Set Screw		111	139432	Feed Lifting Eccentric Forked Connection	
16	198	Screw (2)		112	143451	Slide Block	
17	29043	Washer (2)		113	143450	Slide Block	
18	139181	Thread Cutter		114	143449	FEED ECCENTRIC (adjustable) COMPLETE	with 217, 7071, 50328 and two 51061
19	143524	Thread Guide		115	217	Screw	
20	456	Set Screw		116	51061	Set Screw (2)	
21	1187	Adjusting Screw		117	50328	Feed Regulating Screw	
22	51781	Nut		118	7071	Clamping Washer	
23	139120	Guard Holder		119	376	Bracket Screw	
24	143479	Screw Stud (2)		120	141001	Pressure Regulating Thumb Screw	
25	143480	Position Pin (2)		121	51614	Lock Nut	
26	143465	LOOPER GATE (left)	143464 with 51282 and 143470	122	139158	Needle Thread Guide (2)	
	143467	LOOPER GATE (left)	143466 with 51282 and 143470	123	139158	Looper Thread Guide (2)	
	143469	LOOPER GATE (left)	143468 with 51282 and 143470	124	139180	Needle Thread Guide Bracket	
27	143470	Lock Spring		125	139177	Thread Eyelet	
28	51282	Screw		126	207	Screw	
29	143464	Looper Gate (left) for 2 1/32" Throat Plate		127	146612	Guide Pin	
	143466	Looper Gate (left) for 3/4" Throat Plate		128	316	Stop Screw	
	143468	Looper Gate (left) for 7/8" Throat Plate		129	1547	Nut	
30	143483	Bushing (eccentric (2))		130	15444	STOP SCREW	316 with 1547
31	26276	Position Pin (2)		131	143512	Presser Bar Spring	
32	141158	Socket Screw (2)		132	68002	Tension Bracket	
33	141282	LOOPER HOLDER (front)	with 141158, 26276	133	143447	Face Plate	
34	143481	LOOPER HOLDER (back)	with 141158, 26276	134	143543	Gasket	
35	140393	Clamping Screw (2)		135	146694	LIFTING BRACKET	with 1057
36	143612	DRIVING ARM CONNECTION	with four 175	136	1057	Pinch screw	
37	175	Cap Screw (4)		137	146751	Bushing (lower)	
38	139070	Ball Screw Stud		138	146752	PRESSER BAR STOP	with 190
39	1047	Set Screw			190	Presser Bar Stop Pinch Screw	
40	139496	DRIVING ARM	with 1047	139	190	Presser Foot Screw	
41	143613	DRIVING ARM 139496	with 139070 and 143612	140	139462	Presser Bar	
42	139097	SHAFT COLLAR	with 1454	141	1133	Set Screw	
43	1454	Pinch Screw		142	139138	PRESSER FOOT (triple hinged)	with 37160, 139134, 139135, 139137, 146167 and three 26276
44	446	Set Screw		143	37160	Spring (small)	
45	139074	Slide Block		144	26276	Hinge Pin (3)	
46	143483	Stud		145	139137	Presser Foot Shank	
47	140202	Screw (4)		146	146167	Plate Connection	
48	140999	Plug Screw		147	139135	Presser Foot Plate (front)	
49	143435	Screw Gasket		148	139281	Thread Tube (side)	
50	140295	Cover Screw (14)		149	1255	Feed Dog Screw	
51	143433	Bed Cover		150	443	Set Screw	
52	143434	Gasket (cork)		151	1520	Lock Nut	
53	51570	Tension Regulating Thumb Nut (2)		152	139516	Hinge Pin (eccentric)	
54	59537	Spring Bushing (large) (2)		153	139046	Slide Block	
55	131741	Tension Spring (2)		154	704	Screw (short)	
56	59538	Spring Bushing (small) (2)		155	172	Screw (long)	
57	32572	Releasing Disc (2)		156	140440	Plug Screw	
58	2102	Tension Disc (4)		157	12982	Needle Bar Bushing (upper)	
59	50326	Tension Screw Stud (2)		158	1133	Set Screw	
60	54388	Releasing Pin (2)		159	143492	Oil Wick Guide Tube	
61	131896	Thread Guide (2)		160	143427	ARM ROTARY SHAFT	143426 with 140359, 143236, 143494
62	146676	Lifting Bracket Lifter		161	143494	CONNECTING LINK	with 139533 and 143495
63	807	Hinge Screw		162	140061	Pinch Screw	
64	143510	Lifting Lever		163	143495	STUD	with 140061 and 143619
65	802	Hinge Screw		164	139533	Screw Cap	
66	59539	TENSION SCREW STUD (2)	50326 with 51570	165	143426	ARM ROTARY SHAFT	with 1036 and 140542
67	161	Extension Screw (2)		166	140542	Position Screw	
68	110	Hinge Screw (2)		167	1036	Set Screw	
69	146620	Connecting Link		168	140552	Hinge Stud Clamping Screw	
70	54872	CRANK	with 624	169	147079	Eyelet Bushing (2)	
71	140610	Arm Hole Plug Screw		170	143523	Needle Thread Take-up	
72	624	Set Screw		171	12977	Needle Bar Bushing (lower)	
73	143511	Lifting Lever Spring		172	1133	Set Screw	
74	140090	Screw (upper)		173	143488	Needle Bar	
75	1443	Screw (2)		174	143497	Thread Guide	
76	121449	Clamping Plate		175	139116	NEEDLE CLAMP	with two 1498
77	139366	Slide		176	1498	Needle Set Screw (2)	
78	68003	Releasing Shaft		177	143489	NEEDLE BAR	143488 with 139116 and 143497
79	121586	Lap Seam Feller (adjustable)		178	691	Throat Plate Screw (3)	
80	229	Screw (4)		179	139538	Throat Plate	
81	140061	Screw (lower) (3)		180	143457	Oil Connection	
82	206	Screw		181	120	Screw (2)	
83	143498	Needle Guard (3/32 to 3/16" Gauge)		182	143459	Slide Block Cover (back)	
	143541	Needle Guard (7/32 to 9/32" Gauge)		183	143460	Slide Block Cover (front)	
84	143487	Looper Thread Guide		184	1324	Pinch Screw	
85	143452	Looper (back)		185	139257	CRANK	with 1324
86	143453	Looper (front)		186	143491	OIL WICK	143490 with 146703 and two 146580
87	143472	LOOPER GATE (right)	143471 with 51282 and 143477	187	146580	Oil Wick Clip (2)	
	143474	LOOPER GATE (right)	143473 with 51282 and 143477	188	146703	Oil Wick Clamp and Retainer	
	143476	LOOPER GATE (right)	143475 with 51282 and 143477	189	143490	Oil Wick	
88	143477	Lock Spring		190	1485	Screw (2)	
89	51282	Screw		191	143500	OIL PIPE	with two each 143124 and 143125
90	143471	Looper Gate (right) for 2 1/32" Throat Plate		192	226	Screw (2)	
	143473	Looper Gate (right) for 3/4" Throat Plate		193	143125	Sleeve Nut (6)	
	143475	Looper Gate (right) for 7/8" Throat Plate		194	143124	Sleeve (6)	
91	143478	Hinge Pin (2)		195	143126	Sleeve Adaptor (5)	
92	139535	COLLAR AND SUPPORT	with 51369 and two 1253				
93	139537	Feed Dog					
94	143448	Feed Bar					
95	225	Plug Screw					
96	51369	Pinch Screw					

☐ State gauge required
● State color required

CODE	PART NUMBER	NAME	COMPONENTS	CODE	PART NUMBER	NAME	COMPONENTS
196	143519	THREAD (LOOPER) TAKE-UP STRIPPER PLATE BRACKET	143518 with 219, 237, 240, 7071, 51282, 139145, 139146, 139147, 139148, 139152, 139154, 139155, 139156, 139157, 143517 and two each 203, 207, 665 and 17022.	292	143073	Impeller	
197	240	Screw		293	50123	Locking Screw	
198	139157	Thread Retainer		294	146600	Oil Pump Cover	
199	139156	Thread Separator		295	146657	Screen	
200	139154	Thread Guide (left)		296	146658	Frame	
201	139148	Stripper		297	139519	HINGE PLATE (left)	139172 with 12162
202	207	Plate Screw (2)		298	139520	HINGE PLATE (right)	139172 with 12162
203	203	Stripper Screw (2)		299	189	Frame Screw (3)	
204	219	Screw		300	140061	Screw (2)	
205	7071	Washer		301	139172	Hinge Plate (2)	
206	139155	Thread Guide (right)		302	12162	Hinge Pin (2)	
207	237	Screw		303	139171	Cover Catch	
208	17022	Washer (2)		304	229	Catch Screw (2)	
209	139147	Lock Spring		305	139173	Lock Spring	
210	51282	Spring Screw		306	139174	Reinforcing Plate	
211	139145	Take-up Cover		307	202	Screw	
212	143455	Looper Avoiding Eccentric Forked Connection		308	20995	Position Pin	
213	665	Screw (2)		309	143445	SPACING COLLAR	with two 50150
214	143518	Bracket		310	50150	Set Screw (4)	
215	139146	Hinge Pin		311	207	Screw	
216	143517	Stripper Plate		312	146790	Oil Sump Tube	
217	139152	Thread Guard		313	140296	Set Screw	
218	175	Bracket Screw (2)		314	50555	Plug Screw	
219	197	Cover Screw (4)		315	143617	Flanged Bushing (back)	
220	149206	OIL REMOVING WICK (Complete)	with 140553, 146698, 146745, 147055, 147107 and 149205	316	176	Bracket Screw	
221	140553	Hinge Screw		317	146591	Oil Flow Body	
222	146698	Spring (small)		318	143061	Gasket (2)	
223	147108	WICK HOLDER	146745 with 146698 and 147107	319	143062	Oil Flow Window	
224	147055	Gasket		320	143063	Cap	
225	147107	Oil Removing Wick		321	50257	Screw (4)	
226	143619	Stud Oil Wick (felt)		322	50342	Screw (4)	
227	146745	Wick Holder		323	139324	Thread Guide Bracket	
228	149205	Hinge Plate		324	237	Support Screw (upper)	
229	147005	Flanged Bushing (back)		325	139325	Bracket Support	
230	152503	Bushing (center)		326	202	Support Screw (lower)	
231	140296	Set Screw		327	143618	SPROCKET WHEEL	with two each 141146 and 202253
232	139111	Slide Block		328	141146	Socket Screw (2)	
233	140331	Set Screw		329	202253	Spring Flange (3)	
234	147468	THRUST COLLAR	with two 457	330	1448	Set Screw (2)	
235	457	Set Screw (2)		331	143437	BELT GUARD (large)	with two 1448
236	146633	Thread Eyelet		332	143544	THREAD TUBE, COMPLETE (belt guard)	with four 139162
237	146617	Slack Thread Controller		333	203	Seat Screw (3)	
238	7071	Washer		334	139162	Thread Tube Bushing (4)	
239	54242	Controller Clamp		335	1300	Set Screw (2)	
240	176	Controller Clamp Screw		336	143446	SPROCKET WHEEL	with 202253 and two 1300
241	724	Position Screw		337	50608	Plug Screw (2)	
242	140239	Controller Position Screw		338	139017	Washer (2)	
243	143504	OIL PIPE	143503 with 143065, 143066	339	456	Set Screw	
244	143503	Oil Pipe		340	143456	CONNECTION BRACKET	with 456
245	143066	Sleeve Nut		341	143458	Slide Block	
246	143065	Sleeve		342	143454	LOOPER AVOIDING ECCENTRIC	with two 50150
247	143071	Position Pin (2)		343	143444	Flanged Bushing (right)	
248	143496	Slide Block Guide		344	50422	Set Screw	
249	143570	Thread Guide		345	139144	THREAD (Looper) TAKE-UP	with two 1266
250	140180	Screw		346	50040	Shaft Screw (right)	
251	143439	BUSHING (Intermediate)	143438 with 143441 and two each 171 and 143126	347	143507	OIL RESERVOIR COMPLETE	with 140304, 143506, 143509, 143542, 143601, 144307, 164133, 164134 two 1465 and three each 208 and 164132
252	143441	OIL CONNECTION		348	143542	Frame	
253	143438	Bushing (Intermediate)	143440 with 143442	349	143509	Screen	
254	171	Screw (2)		350	208	Frame Screw (3)	
255	143442	Oil Tube		351	143508	Reservoir Gasket	
256	143440	Oil Connection		352	966	Screw (21)	
257	140331	Set Screw		353	164134	Retainer	
258	143516	TENSION (Looper Thread) Complete	with 143567, two each 143514, 143515 and four 10106	354	164132	Gasket (3)	
259	143515	TENSION SCREW STUD (2)	141002 with 1742	355	164133	Window	
260	1742	Tension Regulating Thumb Nut (2)		356	1485	Screw (2)	
261	143514	Tension Spring (2)		357	143601	Background Disc	
262	10106	Tension Disc (4)		358	143506	Oil Reservoir	
263	141002	Tension Screw Stud (2)		359	144307	Plug Gasket	
264	143567	Tension (Looper Thread) Body		360	140804	Drain Plug	
265	202	Screw (2)		361	139476	Bed Extension	
266	143499	Oil and Lint Guard		362	783	Screw (2)	
267	146830	ARM TOP COVER	146829 with 140676	363	139190	Machine Cushion (2)	
268	140676	Plug Screw		364	146552	Arm Screw (right) (2)	
269	51369	Cover Screws (4)		365	50491	Arm Screw (left) (2)	
270	143432	Screw Gasket		366	16532	Arm Dowel Pin (2)	
271	146829	Arm Top Cover		367	139036	BELT GUARD COVER	139035 with 139037
272	146508	Cover Gasket		368	264715	Belt	
273	51369	Oil Lead Screw		369	139037	Gasket (cork)	
274	143370	Oil Lead		370	139035	Belt Guard Cover	
275	140333	Position Screw		371	139484	MACHINE FULLEY	with two 51283
276	143015	BEVEL GEAR, left hand spiral	with two 1259	372	51283	Fulley Screw (2)	
277	1259	Set Screw (6)		373	144	Shaft Screw (back)	
278	143430	Arm Shaft (upright)		374	690	Cover Screw (2)	
279	147111	Bushing (upper)		375	143577	BELT GUARD COMPLETE, (small)	with 143574, 143575, 143576, and four 146
280	50504	Set Screw		376	146	Belt Guard Screw (2)	
281	146505	Bushing (lower)		377	1448	Adjusting Screw (2)	
282	140298	Set Screw		378	143574	Holder Screw (2)	
283	143431	COLLAR	with two 1259	379	143575	Belt Guard (small)	
284	157	Screw (3)		380	143576	Bracket	
285	146669	OIL PUMP BODY	146659 with three 143126	381	139191	HOLDER	with 1448
286	146659	Oil Pump Body		382	146	Machine Mounting Cushion (2)	
287	143620	OIL PIPE	with 143124 and 143125	383	2807	Machine Screw (2)	
288	143501	OIL PIPE	with 143124 and 143125	384	51069	Washer (2)	
289	143502	OIL PIPE	with two each 143124 and 143125	385	51581	CUSHION BOLT (2)	with 51581
290	143436	Bed Rotary Shaft		386	140359	Nut (2)	
291	1266	Set Screw (2)		387	143236	Screw Plug (front)	
				388	1250	Washer (fiber)	
				389	143521	Position Screw Stud	
				390	143522	Thread Tube Cover (front)	
				391	139167	THREAD TUBE COVER	143521 with 139171 and two 229
				392	139168	Thread Tube Bushing (4)	
				393	146864	THREAD TUBE COMPLETE (front)	with 20995 and four 139167
				394	59456	BEVEL GEAR, right hand spiral	with 140333 and two 1259
				395	430	Guide Screw Washer (2)	
				396	146609	Tension Body Set Screw	
				397	143624	Lifting Lever Extension	
				398	143622	Sprocket Oil Returning Ring (Rubber)	
						Oil Return Tube	

• State color required